



MARTEN

GROUNDBREAKING. AGAIN.



COLTRANE TENOR 2

MADE IN SWEDEN

COLTRANE TENOR 2

Intelligently designed with market-leading technology, Coltrane Tenor 2 is crafted with absolute respect to the music.

Featuring Jorma Design cables, this signature build includes Cell technology, record low distortion, perfect time and phase coherence, and more importantly flawless time coincident.

A speaker that shows the true direction for high end audio.
Not only for Marten.



The new Coltrane Tenor 2 is our best speaker yet. Designed around the most advanced technology, it's crafted with absolute reverence for the music.

One of the highlights of the Coltrane Tenor 2 is the crossover technique. Specifically developed for the Coltrane Supreme 2, it produces absolutely perfect time and phase coherence. More importantly, it also provides flawless time coincident.

THE EVOLUTION OF COLTRANE

The Coltrane series began when lead designer, Leif Mårten Olofsson developed his first 3-way speaker. They were some of the first speaker models to employ a pure diamond tweeter combined with a carbon fibre cabinet, a combination that produced outstanding results.

2003

The first Coltrane model took Marten outside Scandinavia to reach a greater international audience.

2006

The Coltrane Supreme established Marten as a leading name in high-end hi-fi.

2014

The Coltrane Supreme 2 employed the new CELL drivers and a first order crossover to create unique time and phase coherence.

2015

The Coltrane 3 takes the audio experience to the next level, combining the best Marten technology and design.

2017

Intelligently designed with market-leading technology, Coltrane Tenor 2 is crafted with absolute respect to the music.

COLTRANE TENOR 2

The Coltrane Tenor 2 is built on the best technology from all our speakers. The cabinet is super-rigid thanks to Kevlar honeycomb sandwiched between carbon fibre laminate – just like the Coltrane Supreme 2. A pure aluminium plate between the solid wood front and the Valchromat fibreboard inside makes for an equally rigid front and incredibly stable sound.

Inside you'll find the Cell technology that we developed with Accuton especially for the Coltrane Supreme 2. The ceramic mid range is exactly the same as in the Coltrane 3. And the diamond tweeters and aluminium sandwich bass drivers are from the Coltrane Supreme 2. In other words, the technology doesn't come any better.

Yet for the Coltrane Tenor 2 we've managed to push performance even further. To minimise vibration, we've chosen to sit the stainless steel stands on Black Diamond Racing pucks and cones. Meanwhile, we've chosen the best terminals on the market: WBT Nextgen with conductors made of pure silver.

The internal cabling is the best too – Jorma Design, with the option of upgrading to the flagship line Jorma Statement. And we've filled the inside with the just right amount of pure sheep's wool to provide the perfect amount of dampening.

The result is a speaker that does an even better job of reproducing reality – a speaker that sets a new benchmark for high-end audio.



TECHNICAL SPECIFICATIONS

Frequency range / 24 - 80000 Hz +-2dB

Power rating / 300 W

Sensitivity / 86 dB / 1 m / 2.83V

Impedance / 6 ohm (3.5 Ohm min)

Type / 3-way bass reflex

Drive units / 2x8" aluminium sandwich , 1x7" ceramic, 1x0.75" diamond

Crossover frequency / 1st order: 360 & 4000 Hz

Terminals / WBT Nextgen bi-wiring

Internal wiring / Jorma Design - optional Statement

Cabinet / 20 mm:s carbon fibre laminate cabinet, 68 mm laminated wood/aluminium front

Stands / Polished stainless steel with Black Diamond Racing pucks and cones

Dimensions WxHxD / 31 x 114 x 40 cm (12.2 x 44.9 x 15.7")

Net weight / 55 Kg (122.2 lbs)

FINISHES

All models have high-gloss carbon fibre cabinets with fronts available in:



Metallic Warm Grey



Metallic Bronze

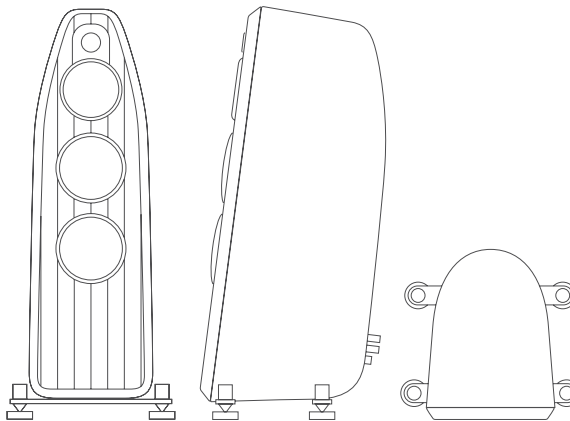


Metallic Dark Gold



Matt Walnut

Please note Colours may not be a true representation of actual finish.



Marten
Flöjelbergsgatan 18
431 37 Mölndal
Sweden

Tel: +46 31 20 72 00
info@marten.se
marten.se
facebook.com/martenaudio

MADE IN SWEDEN