



MARTEN

M·AMP

MONO POWER AMPLIFIER



MADE IN SWEDEN

MONO POWER AMPLIFIER

M•AMP

Using our revolutionary AMS technology, the M•Amp delivers a powerful, transparent, musical sound utterly free from distortion.

AMS (Adaptive Modulation Servo) was invented by Patrik Boström, founder of the design house Anaview AB in Sweden. The core of the Marten amplifier is an inverting globally self oscillating class d stage. This class d stage is a load independent wide bandwidth [-3dB @ 120 kHz] first order modulator, switching at 600 kHz, with a constant loop gain of 30dB all the way up to the switching frequency. The result is a true delay line, which displays very wide bandwidth and fast transient response.

The AMS is connected to the positive and negative inputs of the core amplifiers modulation stage, acting to eliminate the imperfections of the modulation. The gain of the core amplifier cannot be affected by the servo so the wide bandwidth first order behaviour of the class d modulator is perfectly preserved. The servo has flat 20dB gain up to 20 kHz, creating a constant linearity in the audio band.

To ensure no compromise to excellence is made, two independent channels are used in a balanced configuration. The result? A truly exceptional amplifier with a very wide bandwidth, ultra low noise/distortion, high output power and very low losses.

We set out to create the perfect companion for our loudspeakers. With the M•Amp we exceeded our ambitions.



Technical specifications

Max Power @ 8 Ohm, 1% THD / 550 W

Max Power @ 4 Ohm, 1% THD / 1000 W

Max Power @ 2 Ohm, 1% THD / 1700 W

THD @ 1 W, 8 Ohm, 20-20000 Hz / 0.0012%

THD @ 10 W, 8 Ohm, 20-20000 Hz / 0.002%

THD @ 100 W, 8 Ohm, 20-20000 Hz / 0.006%

THD @ 300 W, 8 Ohm, 20-20000 Hz / 0.02%

THD @ 400 W, 8 Ohm, 20-20000 Hz / 0.05%

Unweighted noise / ≤ 40 μ Vrms

Output impedance, 20-20000 Hz / ≤ 30 mOhm

Frequency response 20-20000 Hz / +0, -0.05 dB

Frequency response DC-120000 Hz / +0, -3 dB

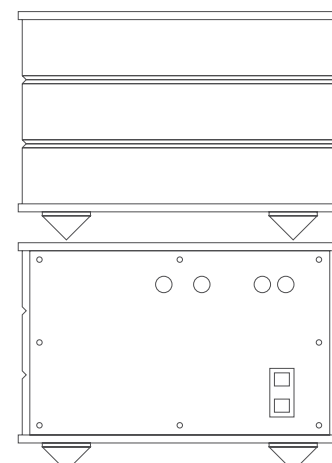
Power supply:

Transformer / 2 KVA

Electrolytic capacity / 190000 μ F

Dimension (wxhxd): / 370x270x530 mm (14.5"x10.6"x20.9")

Net weight: / 47 Kg



T +46 31 20 72 00

F +46 31 20 72 70

MARTEN
CHALMERSGATAN 24
SE-411 35 GOTHENBURG
SWEDEN

INFO@MARTEN.SE

WWW.MARTEN.SE