



MARTEN

INTRODUCING:
Django XL



THE BEST SEAT IN THE HOUSE

MADE IN SWEDEN

Django XL

Django XL is a three-way full-range loudspeaker. As in the Coltrane models, Django XL has a level control for the bass of +/-1dB, which enables the listener to tune the speaker to the listening environment. The Django XL cabinet is not only optimised for resonance control and acoustical purposes, but makes the speaker very attractive, with rounded corners on the top and bottom of the cabinet, both front and back.

Made with supreme craftsmanship, it has been designed with the same filter technology as the Coltrane 2 and Coltrane Momento. Uniquely combining this technology with a ceramic tweeter, ceramic midrange, and three newly developed bass drivers, Django XL offers a full bodied sonic performance that perfectly embraces any type of music. All the subtle nuance and powerful dynamics of a great live concert are there.

So sit back in your favourite chair and relax in front of a pair of Django XL loudspeakers. You will have the best seat in the house every night of the week.



Technical specifications

Frequency range / 26-30000 Hz +/-3dB

Power rating / 250 W

Sensitivity / 89 dB / 1 m / 2.83V

Impedance / 6 ohm (4 Ohm min)

Type / 3-way bass reflex

Drive units / 3x8" aluminium, 1x6" ceramic, 1x1" ceramic

Crossover frequency / 2:nd order: 250 & 3000 Hz

Terminals / WBT single-wiring

Internal wiring / Jorma Design

Cabinet / 25 mm:s heavily braced fibre board cabinet

Stands / Anodised aluminium with Marten cones

Dimensions (WxHxD) / 27 x 119 x 50 cm (10.6 x 46.9 x 19.7")

Net weight / 47 Kg (104 lbs)

Finishes

25 mm:s heavily braced fibre board cabinets available in:

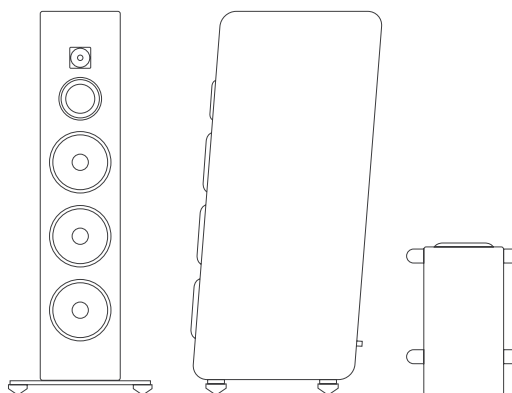


Piano Black



Silver Grey

Please note colours may not be a true representation of actual finish.



MADE IN SWEDEN

T +46 31 20 72 00

F +46 31 20 72 70

MARTEN
CHALMERSGATAN 24
SE-411 35 GOTHENBURG
SWEDEN

INFO@MARTEN.SE

WWW.MARTEN.SE